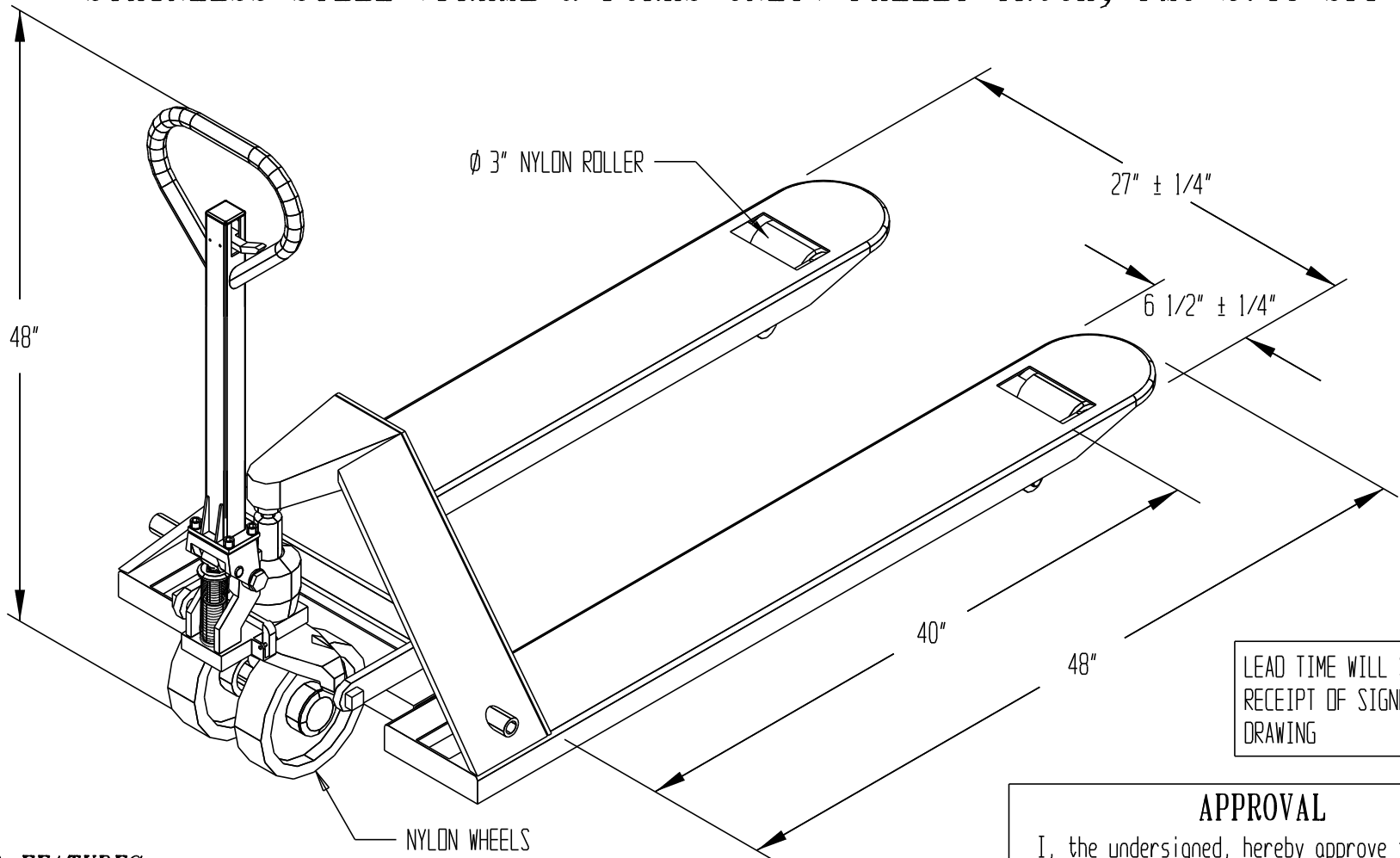


# STAINLESS STEEL (FRAME & FORKS ONLY) PALLET TRUCK, PM5-2748-SFF



LEAD TIME WILL START UPON  
RECEIPT OF SIGNED APPROVAL  
DRAWING

## STANDARD FEATURES

MODEL NUMBER: PM5-2748-SFF  
 OVERALL FORK WIDTH IS 27 ± 1/4 INCHES  
 OVERALL FORK LENGTH IS 48 INCHES  
 CAPACITY IS 5,500 LBS  
 LOWERED HEIGHT IS 2 7/8 INCHES  
 RAISED HEIGHT IS 7 3/4 INCHES  
 STAINLESS STEEL FRAME & FORKS  
 NYLON WHEELS & ROLLERS

## SPECIAL FEATURES

NONE

## APPROVAL

I, the undersigned, hereby approve this print  
 As drawn       As marked  
 This includes my approval of design & dimensions.  
 Signed: \_\_\_\_\_  
 Date: \_\_\_\_\_

|                             |         |                  |
|-----------------------------|---------|------------------|
| DISTRIBUTOR'S NAME:         |         | P.O.#: -         |
| <b>VESTIL MANUFACTURING</b> |         | W.O.#: -         |
| DRAWN BY: -                 | DATE: - | SALES: -         |
| REFERENCE:                  |         | DRWG./FILE NAME: |
| -                           |         | PM5-2748-SFF     |

\*\*SPECIAL UNITS ARE NON-RETURNABLE  
 \*AVAILABLE AT ADDITIONAL COSTS

SCALE: NTS